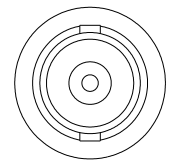
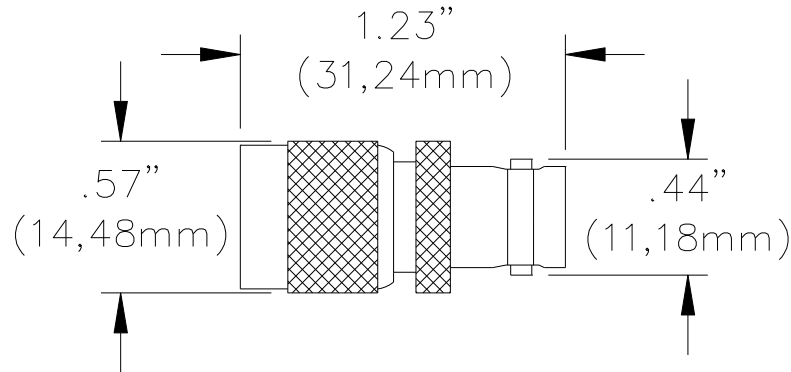


TNC Male



BNC Female

**MATERIALS:**

Body: Tarnish Resistant Nickel Plated Brass

Center Contact:

Male: Gold Plated Brass

Female: Gold Plated Beryllium Copper

Dielectric: Teflon

**RATINGS:**

Operating Voltage: Hands free usage in controlled voltage environments: 500 Vrms maximum. *For CE compliance: not intended for hand-held use at voltages above 33 Vrms/70 Vdc.*

Nominal Impedance: 50 Ohms

**ORDERING INFORMATION:**

Model 3844



All dimensions are in inches. Tolerances (except noted): .xx = ±.02" (.51 mm), .xxx = ±.005" (.127 mm).  
All specifications are to the latest revisions. Specifications are subject to change without notice.  
Registered trademarks are the property of their respective companies.